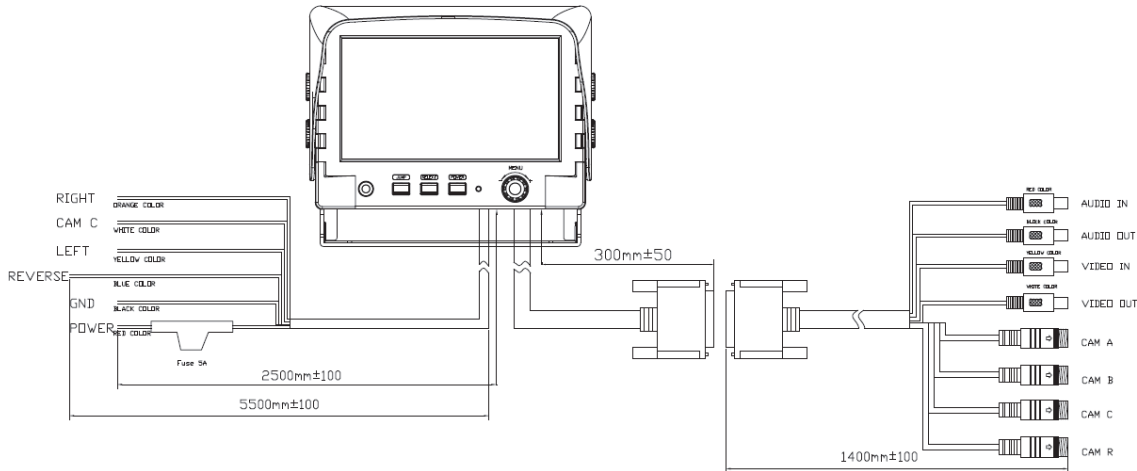


# PRODUCT SPECIFICATIONS

3rd Eye Model Number: AWT07MLEDT Monitor



a DOVER company



Screen size:7 Inch Panel ( diagonal )  
Active area:154.08(H) x 85.92(V)  
Pixel configuration:0.0642 x 0.179  
Resolution:800(RGB) (W) x 480 (H)  
Viewing angle:Up:50°/Down:70°/Left:70°/Right:70°  
Power source:DC9.6V ~DC32V  
Contrast ratio:500:1  
Brightness : 400 cd/m<sup>2</sup>

#### AV Video In

Connector:RCA  
Input Signal:1Vpp  
Impedance:75 Ohms

#### Camera MINI DIN In

Connector: 6 PIN MINI DIN (Standard)  
Input video signal level:1Vpp  
Impedance:75 Ohms  
Input audio signal level: 1Vpp  
Power output for camera:DC12V 350mA

#### AV Audio In

Connector:RCA  
Input video signal level:1Vpp  
Impedance:1K Ohms

#### Live Video Out

Connector:RCA  
Input signal level:1Vpp  
Impedance:75 Ohms

#### CAM OUT

Connector:RCA  
Input signal level:1Vpp  
Impedance:75 Ohms

#### LIVE Audio Out

Connector:RCA  
Input signal level:1Vpp  
Impedance:1K Ohms

#### Dimension

W x H x D :192 x140.5 x 51.8mm  
Weight:N.W./G.W.: 2kg/ 2.28kg

#### Environmental

Operation temperature:-10°C~70°C  
Storage temperature:-30°C~80°C  
Humidity:20%-80%

#### Vibration

10G/27.98~200Hz

#### Features:

Advanced OSD Menu for easy use  
Support up to 4 CCD Camera inputs (Mini din connector) Extra  
RCA input for multimedia while parking (VCD, DVD, Game  
device)  
Provide 2 Video / 1 Audio Signal Output (Live Out) Support  
Single / Dual / Triple / Quad Screen (Cam Out) Signal  
Trigger for Side / Rear View  
Auto Day & Night Control via Photo Diode Sensor  
Auto Detection for NTSC / PAL System  
OSD Control for Individual Normal / Mirror Camera Image for every  
camera  
Auto power on when users are making left turn or right turn  
even reverse  
Able to select CAM A / B/C / R's monitoring screen Supported  
9.6V~32V Car power system working Professional Metal Case  
with Anti Shocking Design

#### Approved Standards:

- FCC

#### Package Contents:

- 7" LCD Monitor
- Sun-Hood
- Mounting Bracket
- Accessories
- Control Cable
- User Manual

Technical Sales & Service Phone: 866-804-2984

Website: [www.3rdeyecam.com](http://www.3rdeyecam.com)

Email: [sales@3rdeyecam.com](mailto:sales@3rdeyecam.com), [service@3rdeyecam.com](mailto:service@3rdeyecam.com), [warranty@3rdeyecam.com](mailto:warranty@3rdeyecam.com)

3rd Eye  
22130 Merchants Way, STE 100  
Katy, TX 77449

Specifications Subject to Change on 60 Day Notice

Effective: 27.07.2017