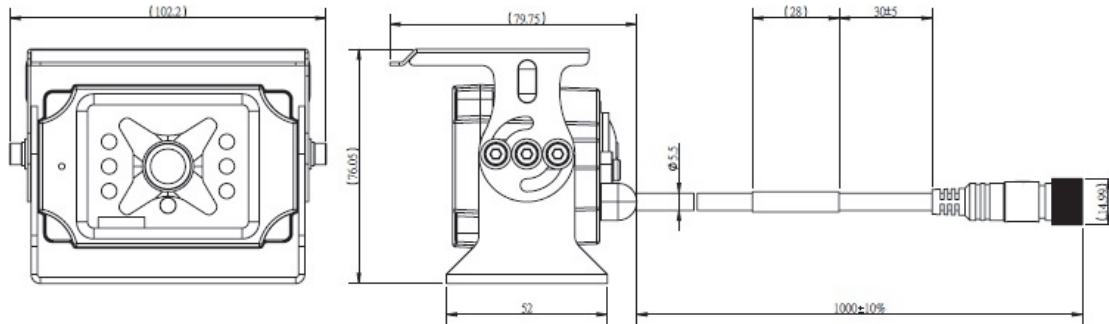


# PRODUCT SPECIFICATIONS

3rd Eye Model Number: AWT-2020T Camera



a DOVER company



## **Environmental Specifications:**

- Camera IP Rating: IP68
- Operating Temperature: -20°C ~ 70°C
- Storage Temperature: -30°C ~ 85°C

## **Technical Specifications:**

- DC power Source: DC 9.6~12V
- Power Consumption: 3W (Max IR ON)
- Current: 250mA (Max IR ON)
- Imaging Devices: 1/3.2" interline transfer CMOS
- TV System: NTSC
- Effective Pixels: 1297(H) x 777(V)
- Visual Resolution: 700 TV Lines
- Sync. System: Internal
- Scanning System: 2:1 Interlace
- S/N Ratio: More than 50 dB (AGC OFF)
- Electronic Shutter
- Auto Electronic Shutter 1/60 ~ 1/67,500 sec.
- Min. Illumination: 0 Lux (F2.0) with IR LED ON
- Automatic Gain Control: ON
- Aperture Correction: Yes
- Frequency Horizontal: NTSC: 15.734 KHz
- Frequency Vertical: NTSC: 59.94Hz

- IR Range: 3.75 + 3 Lux IR ON/OFF
- LED Angle: 4pcs 70° / 2pcs 50° Total 6pcs
- Lens Mount Type: 2.2mm F2.0
- Viewing Angle: H:122° V:91° Diagonal:150°
- Dimensions: 103.2(W) x 76.05(H) x 79.75(D)mm
- Video Output: Composite 1.0 Vp-p / 75 ohm
- Audio Output: 700mV (10k OHM)
- View: Switchable (Default view: Mirror)
- Casing Material: Die Cast Aluminum

## **Approved Standards:**

- FCC

## **Package Contents:**

- Camera
- Mounting Bracket
- Sunshield
- Screw Kits
- User Manual