

All Your Trucks. All Your Systems. One Connection. One Vision.

Providing fleet owners with the tools to help them make smarter, more productive decisions that consistently deliver the lowest total cost of ownership.

AWTSL503MT



5" LCD Monitor

- ✓ Supports up to three camera inputs
- ✓ Standard and mirrored display
- ✓ Perfect for low-light environments
- ✓ Supports multiple languages
- ✓ Full audio output
- ✓ Intuitive push-button interface

Discover the 3rd Eye® AWTSL503MT 5" LCD Monitor

For fleet owners looking for monitors with a smaller footprint, the **3rd Eye** AWTSL503MT 5" LCD monitor is a great option. The AWTSL503MT can support up to three separate camera inputs and allows for both standard and mirrored display. In addition, the LED backlit display is right at home in low-light environments. The AWTSL503MT also supports multiple languages, including English, Spanish, French, Italian, Dutch, Finnish, and German. The monitor features full audio out - as well as an intuitive push-button interface allowing the user to switch functions, adjust brightness and/or audio. Contact your local **3rd Eye** sales representative for more details.



a **DOVER** company

Protect Your Drivers. Protect Your Vehicles. Protect Your Bottom Line.
One Brand. One Vision.



3RD EYE® DIGITAL



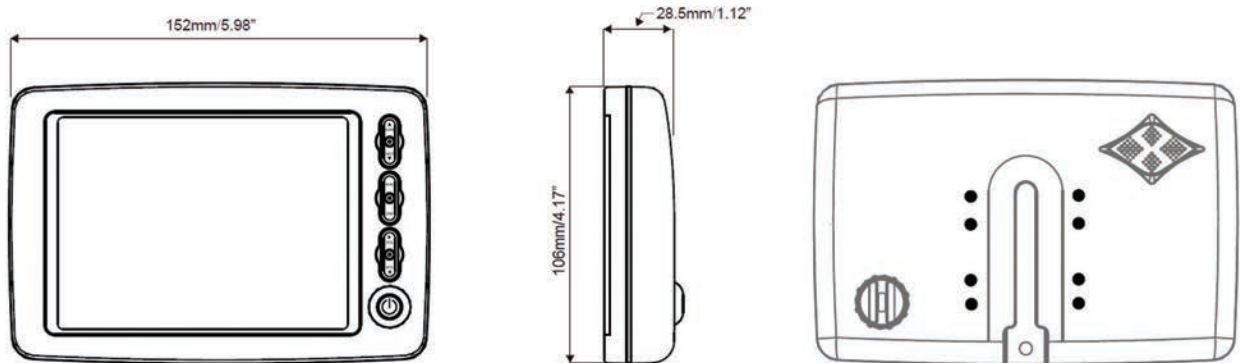
3RD EYE® MOBILE



RADAR

AWTSL503MT - 3RD EYE® 5" LCD MONITOR

PRODUCT SPECIFICATIONS



This 5" monitor is built with a die-cast Aluminum Housing to increase shock and vibration resistance while maintaining a smaller footprint within the c ab. Maximize your budget dollars and lower your risk with this state-of-the-art Slim Line Camera system.

Key Features

5" Display with LED Panel Technology
Back light 500 cd/m²
New LED Panel Technology – Reduced Heat
Resolution 640x(RGB)x480 Pixels
Auto Detection for NTSC / PAL System
Composite CVBS (FBAS)
View angle Left 70°, Right 70°, Up 50°, Down 70°
Dimmer Auto/Manual

Support up to 3 CCD Camera inputs (Mini din connector)
Triggers 12-32 Volt DC (adjustable delay time 0-9 seconds)
Voltage 12V – 32V DC
Current Max. 850mA
Menu Languages English/ Spanish/French/German/Italian/Dutch/
Finnish
Features Rubber Painted, Lighted Buttons
Monitor Bracket

Box Contents

5" LCD Monitor
Sun-Hood
Mounting Bracket
Accessories
Control Cable
User Manual



a **DOVER** company

For More Information Contact Us Today

3814 Jarrett Way Austin, TX 78728
Technical Sales & Service: 1.866.804.2984
E-Mail: info@3rdeyecam.com

Specifications Subject to Change on 60 Day Notice | Effective 09.28.2018