

**All Your Trucks.
All Your Systems.
One Connection.
One Vision.**

Providing fleet owners with the tools to help them make smarter, more productive decisions that consistently deliver the lowest total cost of ownership.

AWTC60WP



3rd Eye® HD Camera

- ✓ Waterproof in wet environments
- ✓ 120° field of visibility
- ✓ 10G shock and vibration rating
- ✓ Comes with sun shield
- ✓ Replaceable outer glass

Discover the 3rd Eye® AWTC60WP HD Waterproof Camera

The **3rd Eye** AWTC60WP waterproof CCD camera is a perfect camera for those applications where moisture and environmental exposure are present. The camera – which is G-force rated to 10Gs for shock and vibration, comes standard with an automatic heater and double-window glasses – with replaceable outer glass. The camera provides 120° of visibility comes complete with sun shield, mounting bracket, and hardware.



a **DOVER** company

Protect Your Drivers. Protect Your Vehicles. Protect Your Bottom Line.
One Brand. One Vision.



3RD EYE® DIGITAL



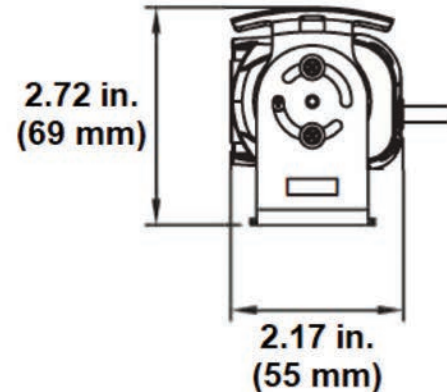
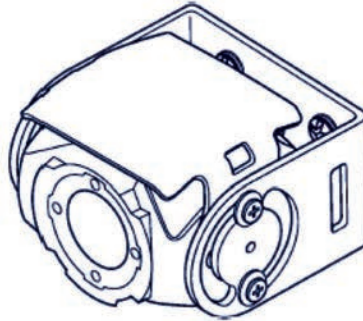
3RD EYE® MOBILE



RADAR

AWTC60WP - 3RD EYE® HD WATERPROOF CAMERA

PRODUCT SPECIFICATIONS



Key Features

1/3" Color CMS Sensor
Electronic Auto Iris Control
AWB (Auto White Balance)
Black Light Compensation (BLC On)
IP 69K
10G Shock / Vibration
G-Force Rating: 30
Isolated Ground
Automatic Heater
Double Window Glasses
Replacable Outer Glass
Lens F=2.9 H:96° V:72° Diagonal 120°

Electrical

Signal Format : NTSC
Image Device : 1/3" color CMOS sensor
Picture Element : 720 x 480 NTSC
Synchronization : Internal SYNC
Resolution : 420 TV lines
S/N Ratio : More than 45dB

Video Out : 75 Ohm 1Vp-p composite Signal
IRIS: Electronic Auto IRIS System
Operating Voltage Range : 9V-15V

General

Operating Temperature : -40°C - 65°C (with Heat)

Box Contents

Mounting Bracket
Screw Kit
Sun Shield



a **DOVER** company

For More Information Contact Us Today

3814 Jarrett Way Austin, TX 78728
Technical Sales & Service: 1.866.804.2984
E-Mail: info@3rdeyecam.com

Specifications Subject to Change on 60 Day Notice | Effective 09.28.2018