

# All Your Trucks. All Your Systems. One Connection. One Vision.

Providing fleet owners with the tools to help them make smarter, more productive decisions that consistently deliver the lowest total cost of ownership.



## AWT2020T

### 3rd Eye® Camera

- ✓ Sony HD Color Chip for Maximum Resolution
- ✓ IP 68 waterproof rating
- ✓ IR for optimal view in total darkness
- ✓ Built-in microphone for audio
- ✓ Durable against the elements



### Discover the 3rd Eye® AWT2020T Camera

The heavy-duty AWT2020T is the standard for vehicle-mounted cameras. Manufactured with a die-cast aluminum body and a screen resolution of 1297 (H) x 777 (V) pixels and a 150° field of view, this camera has a water intrusion rating of IP68 and is capable of capturing full audio. The AWT2020T comes with IR LED lights and a auto electronic shutter for low light operation, sun shield, and mounting brackets.



a **DOVER** company

Protect Your Drivers. Protect Your Vehicles. Protect Your Bottom Line.  
**One Brand. One Vision.**



3RD EYE® DIGITAL



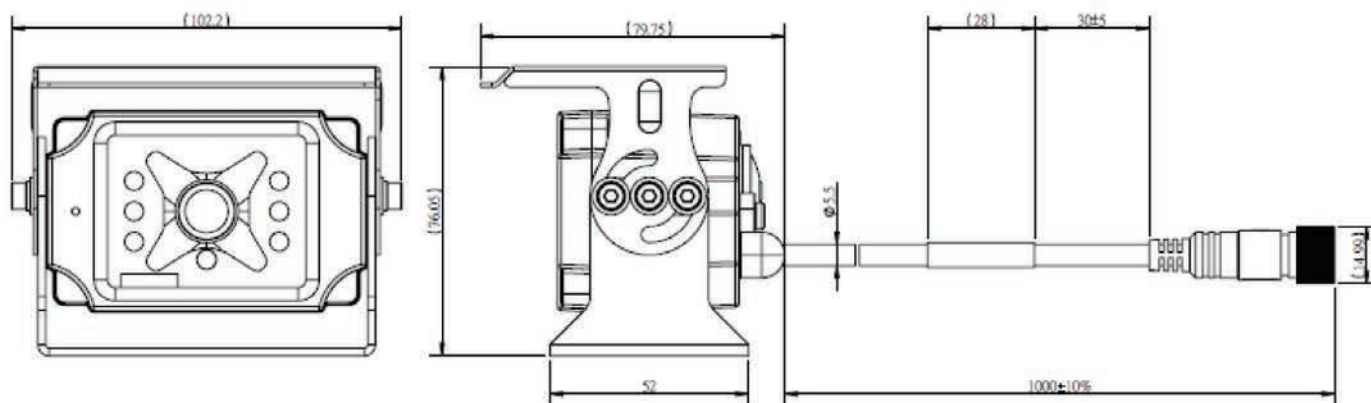
3RD EYE® MOBILE



RADAR

# AWT2020T - 3RD EYE® CAMERA

## PRODUCT SPECIFICATIONS



### Environmental Specifications:

- Camera IP Rating : IP68
- Operating Temperature : -20°C ~ 70°C
- Storage Temperature : -30°C ~ 85°C

### Technical Specifications:

- DC power Source : DC 9.6~12V
- Power Consumption : 3W (Max IR ON)
- Current : 250mA (Max IR ON))
- Imaging Devices : 1/3.2" interline transfer CMOS
- TV System : NTSC
- Effective Pixels: 1297(H) x 777(V)
- Visual Resolution : 700 TV Lines
- Sync. System: Internal
- Scanning System: 2:1 Interlace
- S/N Ratio: More than 50 dB (AGC OFF)
- Electronic Shutter
- Auto Electronic Shutter 1/60 ~ 1/67,500 sec.
- Min. Illumination : 0 Lux (F2.0) with IR LED ON
- Automatic Gain Control: ON
- Aperture Correction: Yes
- Frequency Horizontal: NTSC: 15.734 KHz
- Frequency Vertical: NTSC: 59.94Hz

- IR Range : 3.75 + 3 Lux IR ON/OFF
- LED Angle : 4pcs70° / 2pcs50° Total 6pcs
- Lens Mount Type: 2.2mm F2.0
- Viewing Angle : H:122° V:91° Diagonal:150°
- Dimension : 103.2(W) x 76.05(H) x 79.75(D)mm
- Video Output : Composite 1.0 Vp-p / 75 ohm
- Audio Output : 700mV (10k OHM)
- View : Switchable (Default view : Mirror)
- Casing Material : Die Cast Aluminum

### Approved Standards:

- FCC

### Package Contents:

- Camera
- Mounting Bracket
- Sunshield
- Screw Kits
- User Manual



a **DOVER** company

### **For More Information Contact Us Today**

3814 Jarrett Way Austin, TX 78728  
Technical Sales & Service: 1.866.804.2984  
E-Mail: info@3rdeyecam.com

Specifications Subject to Change on 60 Day Notice | Effective 09.28.2018